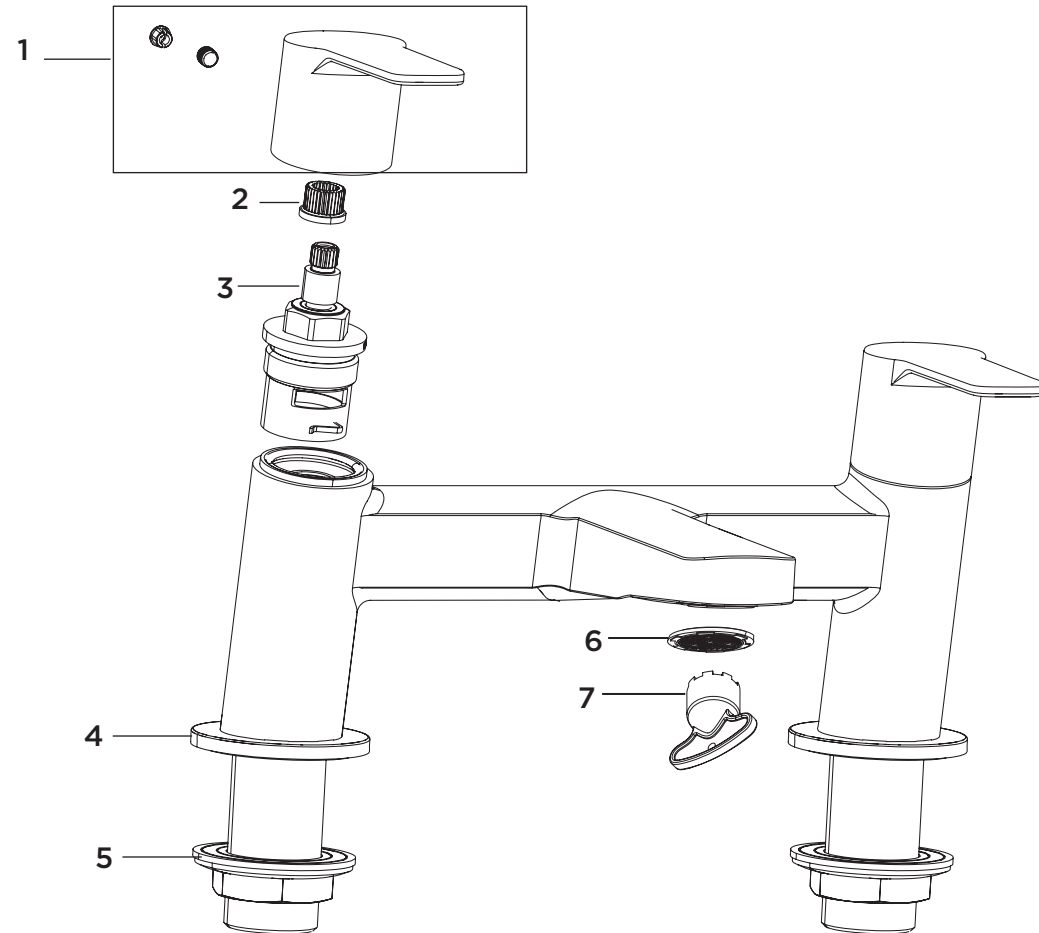


Product Code: PS2 BF C

Revision: D1



1	Handle Assembly
2	Spline adapter
3	Ceramic valve
4	Plinth and Washer
5	Backnut and Washer
6	Flow Straightener
7	Service Key