

# ZI SHXSMCT C

## COOLTOUCH Shower Range Zing Cool Touch Bar Mixer SM Kit



### Specification

Product Type:	Bar Mixer Shower
Main Construction Material:	Brass
Connection Inlet:	15mm Compression
Connection Outlet:	G 1/2"
Number of Controls:	2
Flow Control Valve Type:	1/2" CD Valve
Plumbing System:	Suitable for all plumbing systems
Minimum Dynamic Pressure:	0.2 Bar
Maximum Dynamic Pressure:	5.0 Bar
Maximum Static Pressure:	10
Maximum Hot Water Temperature: °C	60
Pre-set Outlet Temperature: °C	38
Isolation Included:	No
Check Valve Supplied:	No
Shower Kit:	Adjustable Riser

### Features:

- G1/2" inlet connections
- Thermostatic cartridge with preset temperature stop at 38°C, can be over-riden to a maximum of 46°C
- Cold water feed surrounds the hot water to ensure the valve is safe to touch by all the family
- Includes 1.5m hose, rub-clean anti-limescale handset and hose retainer

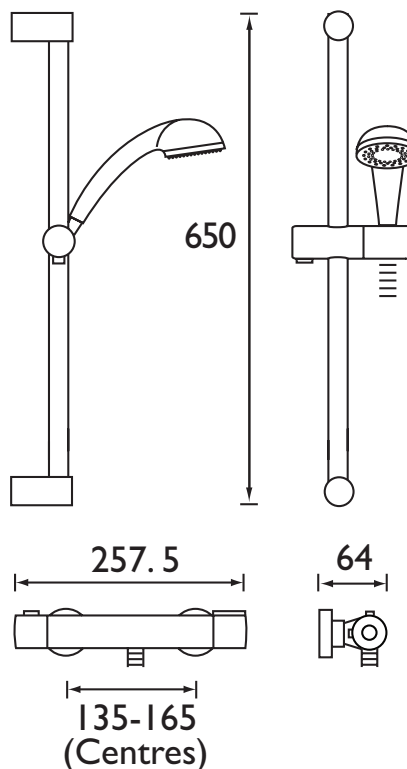
### Product Certifications:



WRAS Cert. Number: 2001912  
WRAS Expiry Date: 31/01/2025



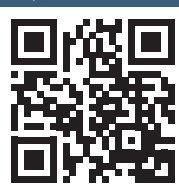
### Dimensions (measurements in mm)



### Flow Rates (l/min)

System Pressure (bar)	0.2	0.5	1	2	3	5
Through Handset (mixed)	4	7	10.2	14.4	17.7	22.8

For more products, visit our website:  
<http://www.bristan.com>



## TECHNICAL DATA SHEET



# BRISTAN