

## WCs

# sandringham magna low level

Versatile WC pan in vitreous china that is suitable for domestic and public building applications with either high or low level cisterns.

Open flushing rim.

Conforms to British Standards

Domestic, hotel and office use

Ceramic or plastic cistern

Economic to specify



### Illustrated

**S3510** Sandringham Magnia WC pan

**S3900** 6 litre cistern for side supply, internal overflow, with Freeflo plastic syphon fittings and 1/2in Microvalve HP/LP side supply ballvalve, internal overflow, plastic flush bend, Simpla inlet connector and supports, chromium plated lever

**S4055** Gemini seat & cover

**S9102** Domex screws

### Material

Vitreous china

### Weight

WC pan 12.0kg

Cistern 19.0kg

Seat & cover 2.2kg

### Colours

Available in White (01) only

### Standards

WC pan conforms to

BS EN 997:2003

Vitreous china to

BS 3402

### Options

**S3902** cistern and fittings as above but for bottom supply and internal overflow

**S3740** Regal 6 litre slimline plastic cistern, side supply and internal overflow

**S3742** Regal 6 litre slimline plastic cistern, bottom supply and internal overflow

### Associated products

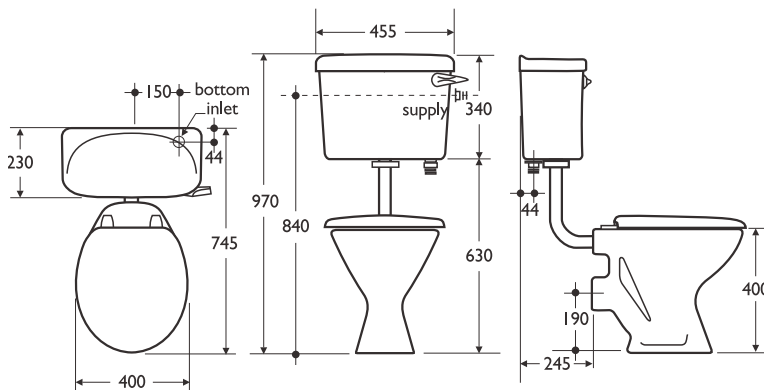
#### Panekta Connectors

**S4305** converts to P trap

**S4300** converts to S or turned P trap

### Special notes

Side supply cistern fittings are reversible



conversion bends outlet to suit 102 bore soil pipe

WCs

low/high level

