

# ATLAS PROFESSIONAL COLLECTION

## SMOOTH CLOSE COUPLED PAN



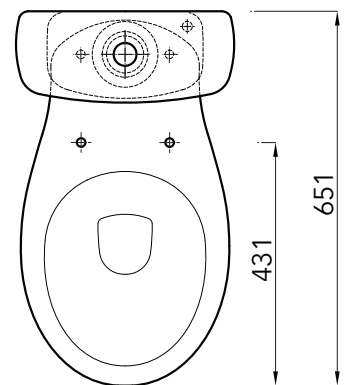
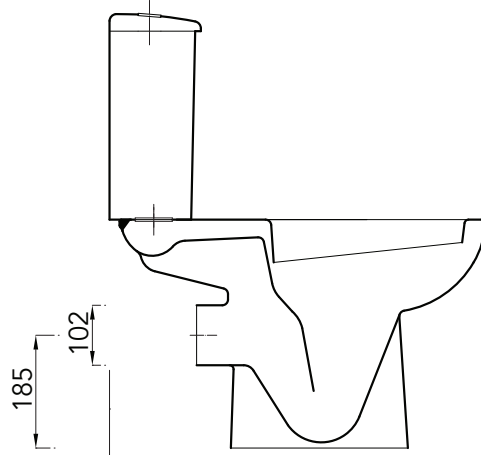
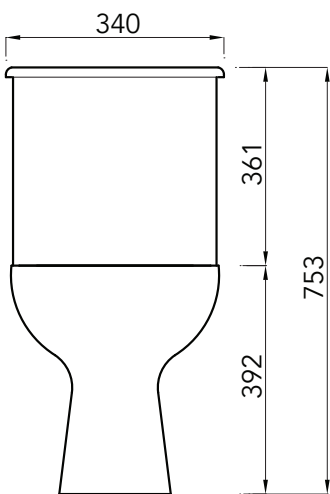
<b>Product Code</b>	<b>ASWHSMPA</b>
<b>Outlet</b>	Horizontal
<b>Weight (Kg)</b>	16.5
<b>Fixing kit included</b>	No
<b>Material</b>	Vitreous China

### Key features:

- CE Compliant
- Smooth modern design
- Lifetime ceramic guarantee\*

### Description:

A close coupled pan with smooth lines, its family friendly easy clean WC will fit perfectly with a dual flush push button operation.



All dimensions are approximate and subject to normal ceramic variation. Although every effort is made not to change the above product specification, Lecico reserve the right to do so without prior notification if necessary.  
\*Against manufacturers defects. Full information on guarantees available upon request.