

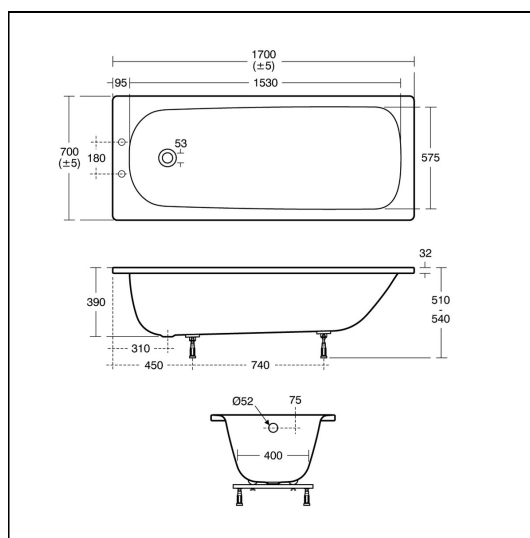
# Sandringham 21 Steel bath 170x70cm 2 Tapholes

## ILLUSTRATED

- S1836** Sandringham 21 bath 170 x 70cm standard gauge steel 2 tapholes
- B9870** Sandringham 21 bath filler 2 hole
- S8970** Trap 1½" plastic P with 75mm seal, multi-purpose outlet suitable for plastic and BS copper pipe
- A5901** TMV thermostatic mixing valve 22mm

## OPTIONS

- B9866** Sandringham 21 bath pillar taps
- B9871** Sandringham 21 bath shower 2 hole mixer with shower set
- B9876** Sandringham 21 bath pillar taps, crosshead handles
- B9877** Sandringham 21 bath filler 2 hole, crosshead handles
- B9878** Sandringham 21 bath shower mixer 2 hole with shower set, crosshead handles
- B9882** Sandringham 21 bath pillar taps, lever handles
- B9883** Sandringham 21 bath filler 2 hole, lever handles
- B9884** Sandringham 21 bath shower mixer 2 hole with shower set, lever handles
- S0915** Bath flat front panel
- S1020** Sandringham 21 end bath panel 70cm
- S0916** Bath flat end panel
- S9365** Bath panel plastic corner edge strip
- S8840** 1 1/2" Combination bath waste & trap with overflow and domed clicker

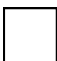

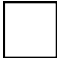



## ILLUSTRATED PRODUCT DETAILS

### Weights

- S1836** 25.51 KG
- B9870** 2.10 KG
- S8970** 1.00 KG
- A5901** 1.70 KG

### Finishes

- S1836**  White (01)
- B9870**  Chrome (AA)
- S8970**  Neutral / No Finish (67)
- A5901**  Chrome (AA)

### Materials

- S1836** Porcelain Enamelled Steel
- B9870** Chrome Plated Brass
- S8970** Plastic
- A5901** Chrome Plated Metal

### Capacity

- S1836** 160.0 litres (to overflow)

### Flow rates

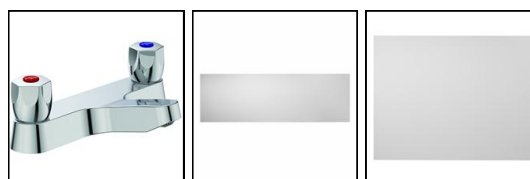
- B9870** 16.5 Litres per minute @ 3 bar pressure

### Standards

Manufactured to BS 1344-3:1998  
Standard gauge 2mm porcelain enamelled steel

### Special Notes

\*Note, Anti-slip reduces the likelihood of slipping but it does not prevent all slipping. Care to be taken when cleaning as aggressive products may reduce the effectiveness of the slip resistant area. Consideration should be given to safe hot water delivery and the use of



## ACCREDITATIONS



## Sandringham 21 Steel bath 170x70cm 2 Tapholes

an appropriate temperature reduction device see A5901AA or Part G for guidance.